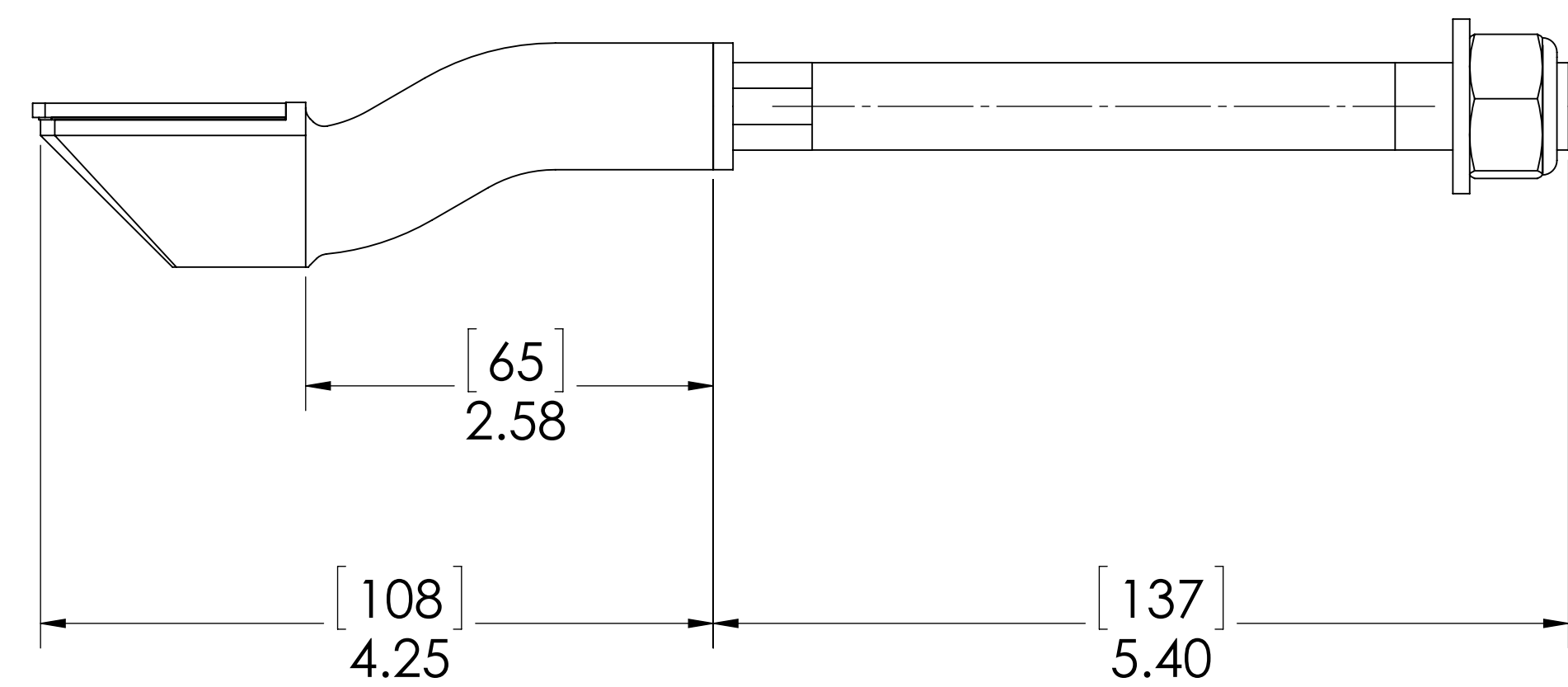
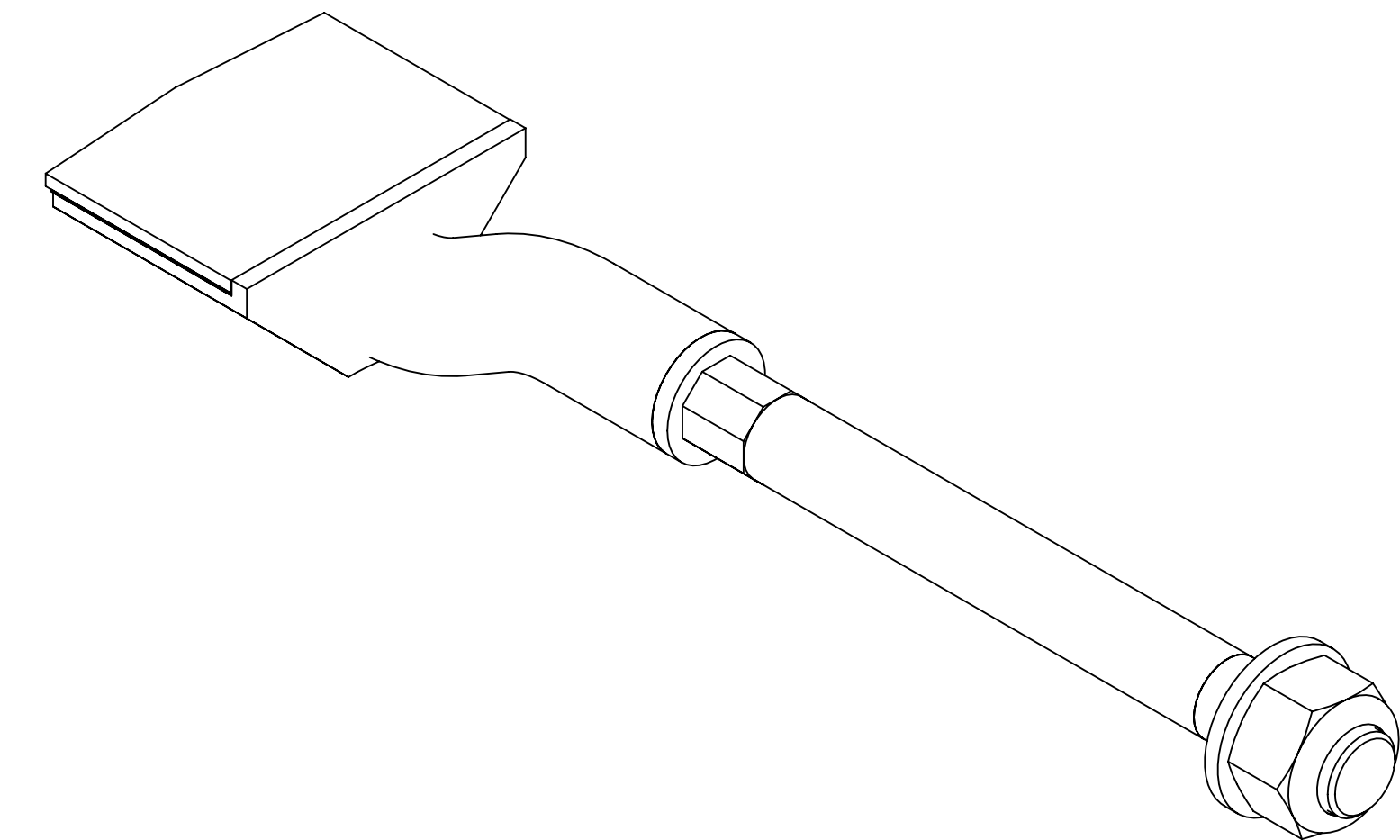
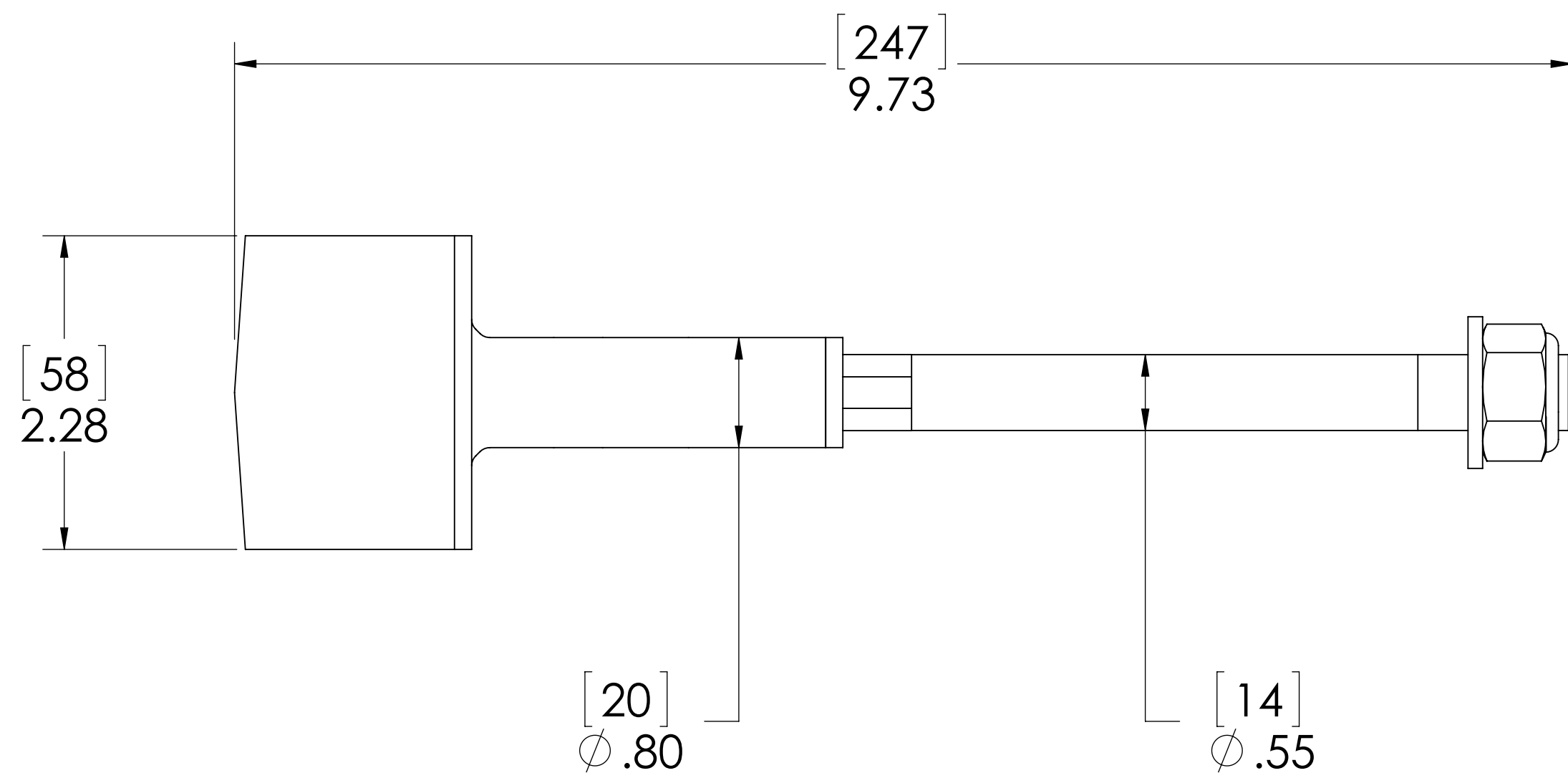


IMF PART NO.	1901A0146A2FC
PALMER PART NO.	700000900G
DESCRIPTION	BLADE ASSEMBLY T36/25



NOTE: UNITS IN [MM] INCHES

REV		ECN	DATE	DIMENSIONS ARE IN INCHES		DRAWN	NAME	DATE	PROPRIETARY AND CONFIDENTIAL - THE INFORMATION CONTAINED IN THIS DRAWING IS THE SOLE PROPERTY OF PALMER MANUFACTURING. ANY REPRODUCTION IN PART OR AS A WHOLE WITHOUT THE WRITTEN PERMISSION OF PALMER MANUFACTURING IS STRICTLY PROHIBITED.	
				UNLESS OTHERWISE SPECIFIED:		RELJ	7/18/2016		PALMER 18 BECHTLE AVE SPRINGFIELD, OH 45504 U.S.A. (937) 523-4339 MANUFACTURING & SUPPLY, INC. (800) 457-5456	
				TOLERANCES:		APPROVED			TITLE BLADE ASSEMBLY T36/25	
				FRACTIONAL: ±1/16		NOTE			SIZE DWG. NO. REV D 700000900G 0	
				ANGULAR: MACH ±1 BEND ±1		CUSTOMER			SCALE: 1:1 DO NOT SCALE SH1 OF 1	
				ONE PLACE DECIMAL ±.150		PART NO.	021030			
				TWO PLACE DECIMAL ±.030						
				THREE PLACE DECIMAL ±.005						
				MATERIAL						
				FINISH						
				WEIGHT						