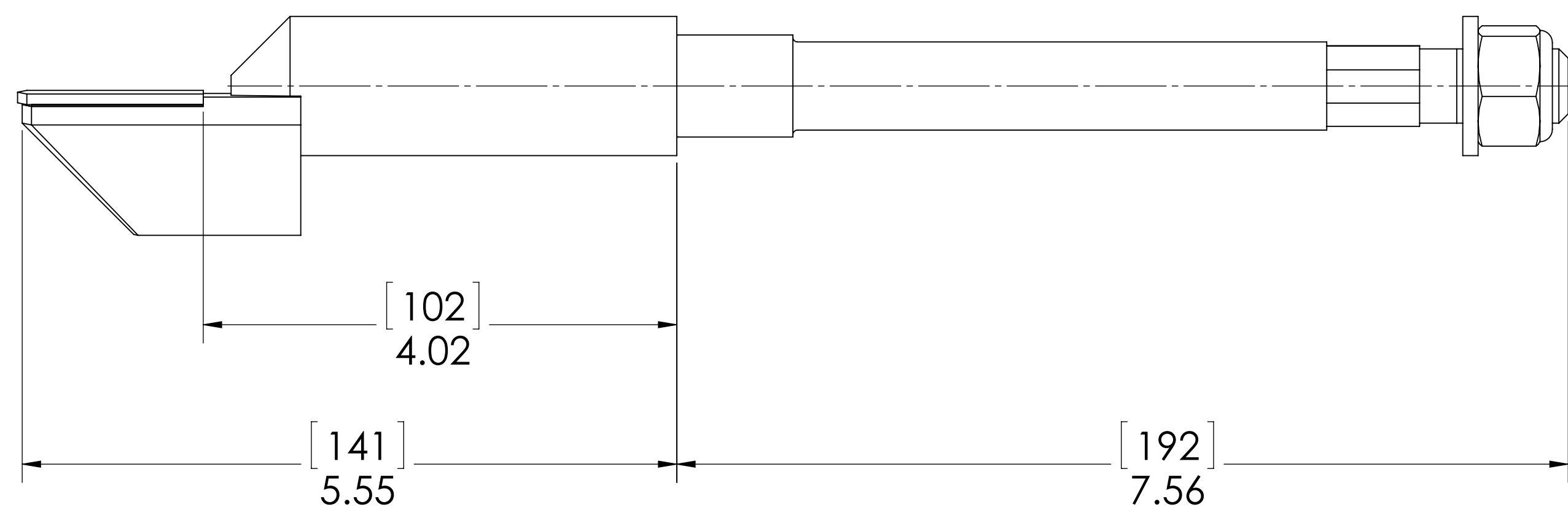
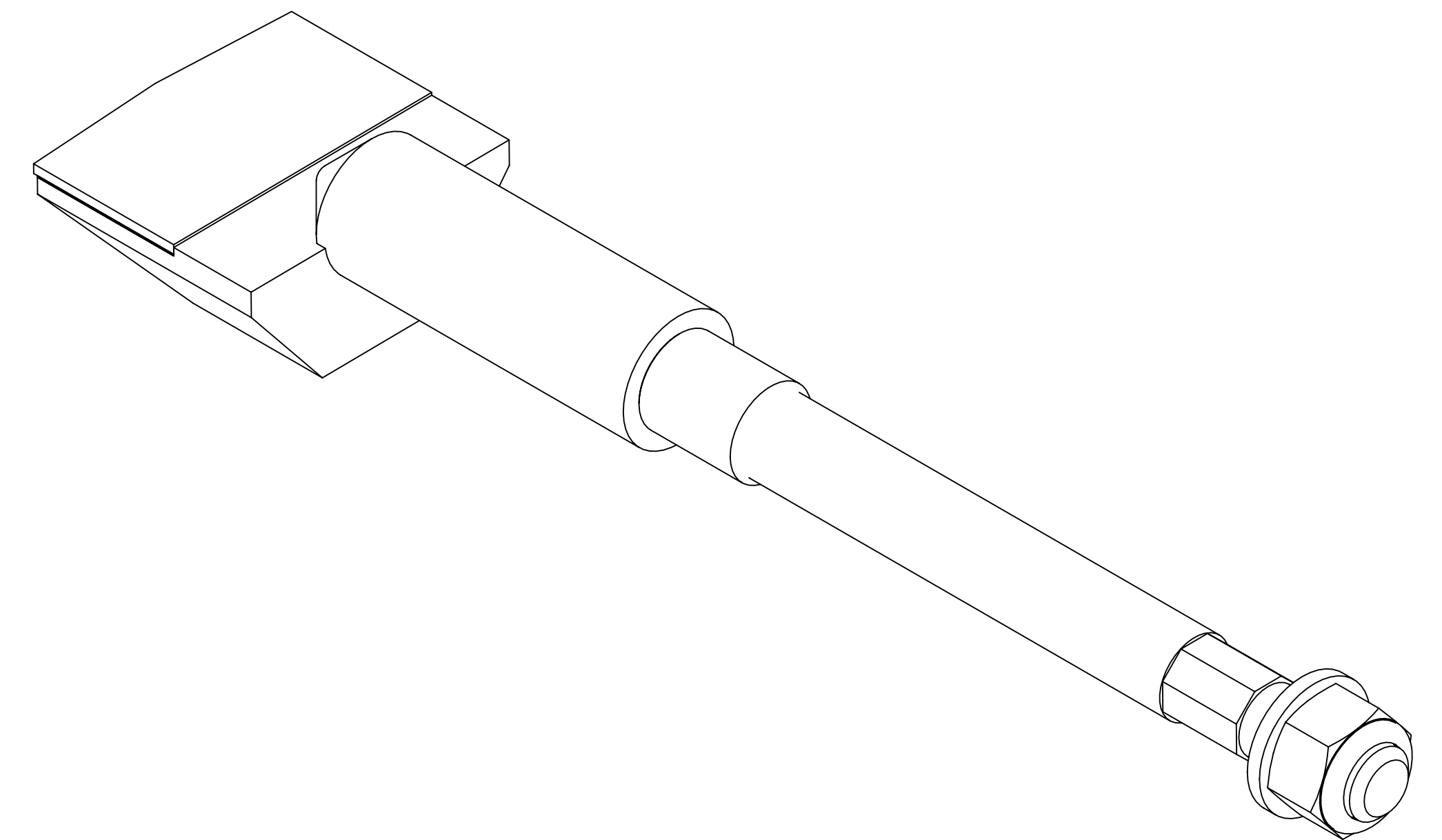
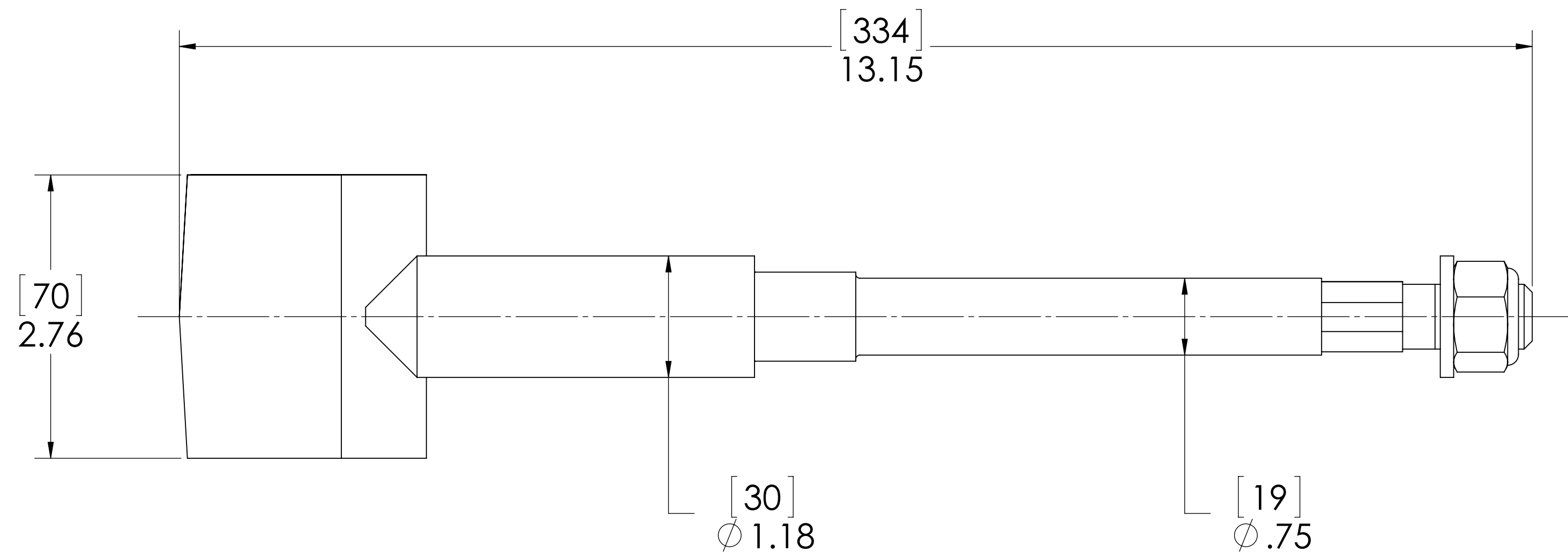


IMF PART NO.	1901A00210A
PALMER PART NO.	700000900D
DESCRIPTION	BLADE ASSEMBLY 80/100



NOTE: UNITS IN [MM] INCHES

REV		ECN	DATE	DIMENSIONS ARE IN INCHES UNLESS OTHERWISE SPECIFIED:		DRAWN	NAME	DATE	PROPRIETARY AND CONFIDENTIAL - THE INFORMATION CONTAINED IN THIS DRAWING IS THE SOLE PROPERTY OF PALMER MANUFACTURING. ANY REPRODUCTION IN PART OR AS A WHOLE WITHOUT THE WRITTEN PERMISSION OF PALMER MANUFACTURING IS STRICTLY PROHIBITED.	
				FRAC TIONAL	±1/16	APPROVED	RELJ	8/7/2016	PALMER 18 BECHTLE AVE SPRINGFIELD, OH 45504 U.S.A. (937) 523-4339	
				ANGULAR	MACH ±1 BEND ±1	NOTE		MANUFACTURING & SUPPLY, INC. (800) 457-5456		
				ONE PLACE DECIMAL	±.150	CUSTOMER		TITLE		
				TWO PLACE DECIMAL	±.030	MATERIAL		BLADE ASSEMBLY 80/100		
				THREE PLACE DECIMAL	±.005	FINISH		SIZE DWG. NO. REV		
						WEIGHT		D 700000900D 0		
						PART NO.		SCALE: 1:1 DO NOT SCALE SHT 1 OF 1		
						021037				